

GM-CH Stainless Steel 316 Covered Hinge

Features

- Unique stainless steel hinge covers conceal fasteners
- Easy installation with 3M VHB double-sided tape installed to the back side of the polished hinge covers
- Cover can be removed by using a heat gun or hair dryer
- Innovation and beauty combined

Product Performance

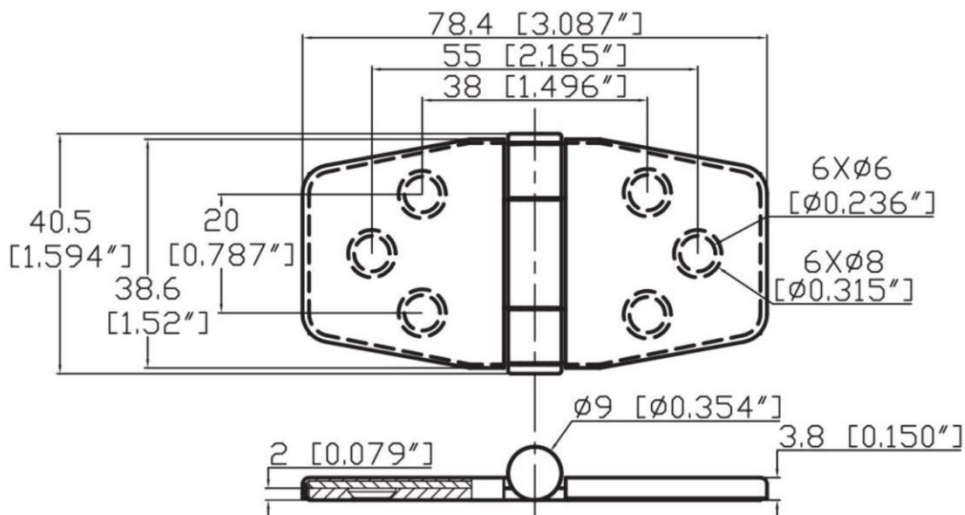
- Passed 500 hours salt-spray test

Material

- Stainless steel 316

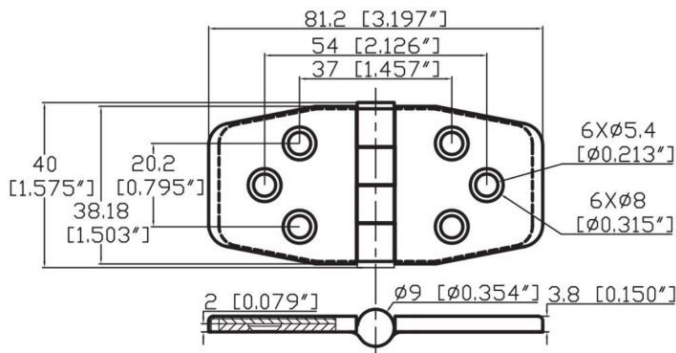


Barrel Up Style



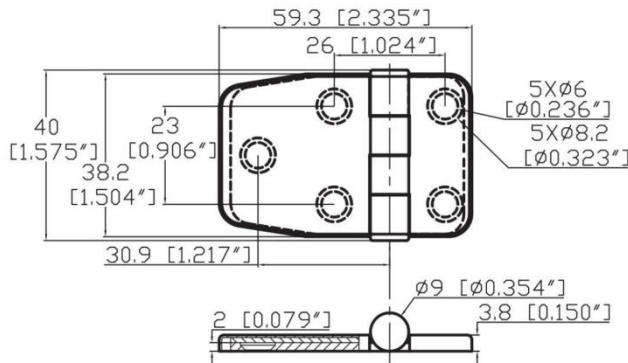
Part No.	Dimensions	Screw Size
GM-CH-J120655	38.6 x 78.4	#8 or M4

Centre Barrel Style



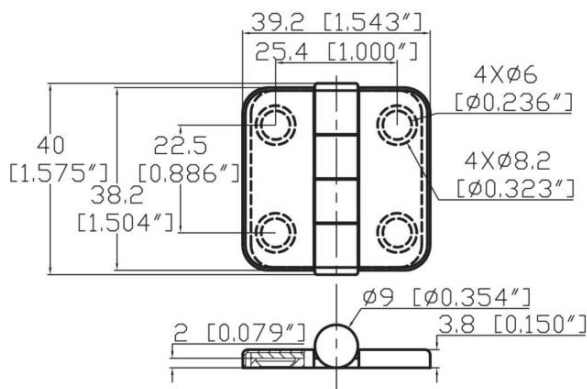
Part No.	Dimensions	Screw Size
GM-CH-A120656	38.2 x 81.2	#8 or M4

Barrel Up Style



Part No.	Dimensions	Screw Size
GM-CH-A120652	38.2 x 59.3	#8 or M4

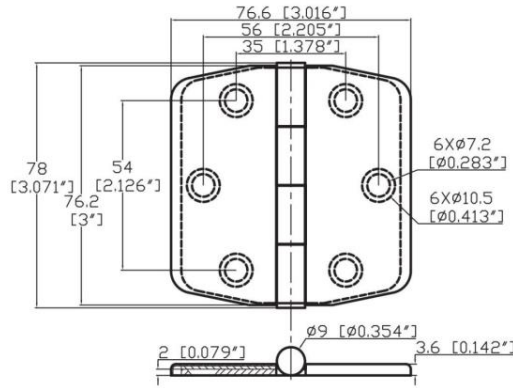
Barrel Up Style



Part No.	Dimensions	Screw Size
GM-CH-A120652	38.2 x 39.2	#8 or M4

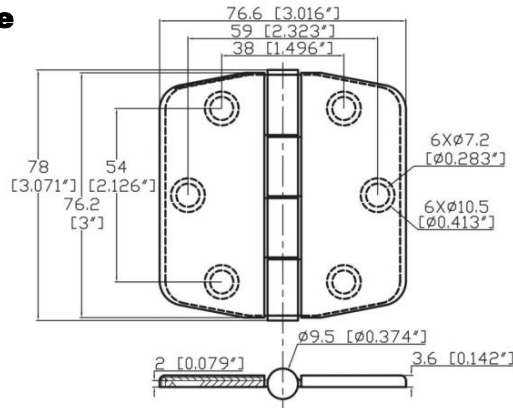
FREE SWINGING HINGES

Barrel Up Style



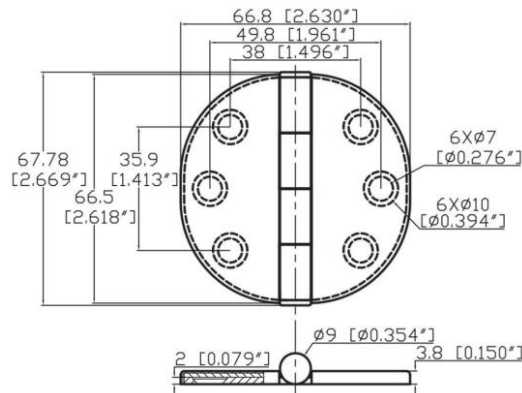
Part No.	Dimensions	Screw Size
GM-CH-A120653	76.2 x 76.6	#10 or M5

Centre Barrel Style



Part No.	Dimensions	Screw Size
GM-CH-A120658	76.2 x 76.6	#10 or M5

Barrel Up Style



Part No.	Dimensions	Screw Size
GM-CH-A120654	66.5 x 66.8	#10 or M5